



THERMOPLASTIC SPRAY GUN WITH ATOMIZING AIR

This gun is made of material that conducts perfectly the heat and resists to 300 °C. It has a pneumatic closing system to guarantee very fast closing action.

CONNECTIONS:

Opening air	1/4 "
Closing air	1/4 "
Atomizing air	3/8 "
Thermoplastic inlet	1 "
Ø passage of thermoplastic	22 mm

THERMOPLASTIC NOZZLE:

Ø 5 to 12 mm

AIR NOZZLE:

Ø 11.1 to 15.3 mm

EXTERNAL NOZZLES

This nozzle, made of special hardened steel for high hardness, is proposed with a 4 mm slot width and in 2 versions: the first one with a slot length of 25.5 mm and the second one with a slot length of 38 mm with bevel. This nozzle can also be made in tungsten carbide (only on request).

INFORMATION

This gun has two possible entries and a brass heating element for the head of the gun (3/8" connection for the heating oil). It can be fed either by a pressurized tank or a low pressure pump. In order to limit the width of the line, a system made of tungsten carbide can be fixed on the gun (option).

RECOMMENDATIONS

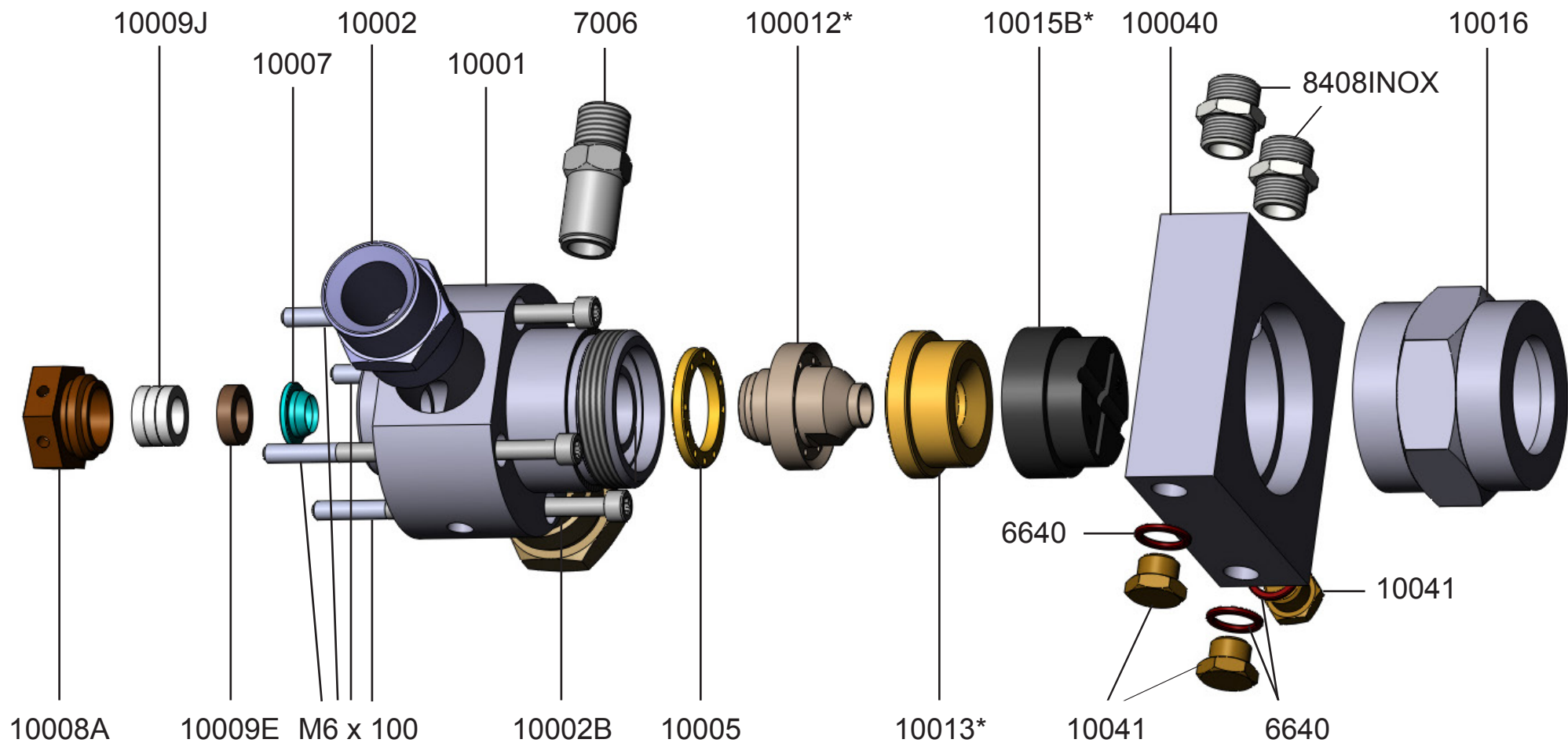
- For thermoplastic, use a double casing tube to maintain the temperature of the product
- Use an air atomizing pressure between 6 and 8 bar (87 and 116 psi)
- Use an opening air pressure of 5 bar (72 psi)

SPECIFICATIONS

Dimensions:	420 x 120 mm
Weight:	6.0 kg

Edwin Kamber SA reserves the right to change at any time this information





*Indiquer N° ou Ø
 *Indicate no. or Ø
 *Indicar n.° o Ø
 *Nr. oder Ø angeben

