



GLASS BEAD GUN WITHOUT ATOMIZING AIR

This gun is equipped with a hardened steel closing piston (which is adjustable with a screw). It must be fed with glass beads from a pressurized tank.

CONNECTIONS:

Opening air 1/4"
 Ø passage of beads 11.5 mm

BEAD NOZZLE:

Ø 4 to 10 mm

DIFFUSER

The gun is equipped with an adjustable (orientation and width) diffuser to spread the glass beads equally over a wide line up to 30 cm. It has a stiffening plate in carbide to increase its lifetime. This can be easily replaced when it wears out. The diffuser can be equipped with a glass bead sensor to avoid having a line without glass beads (on request). This sensor is connected to an electronic device, which manages the gun(s) in action and the alarms (on request).

RECOMMENDATIONS

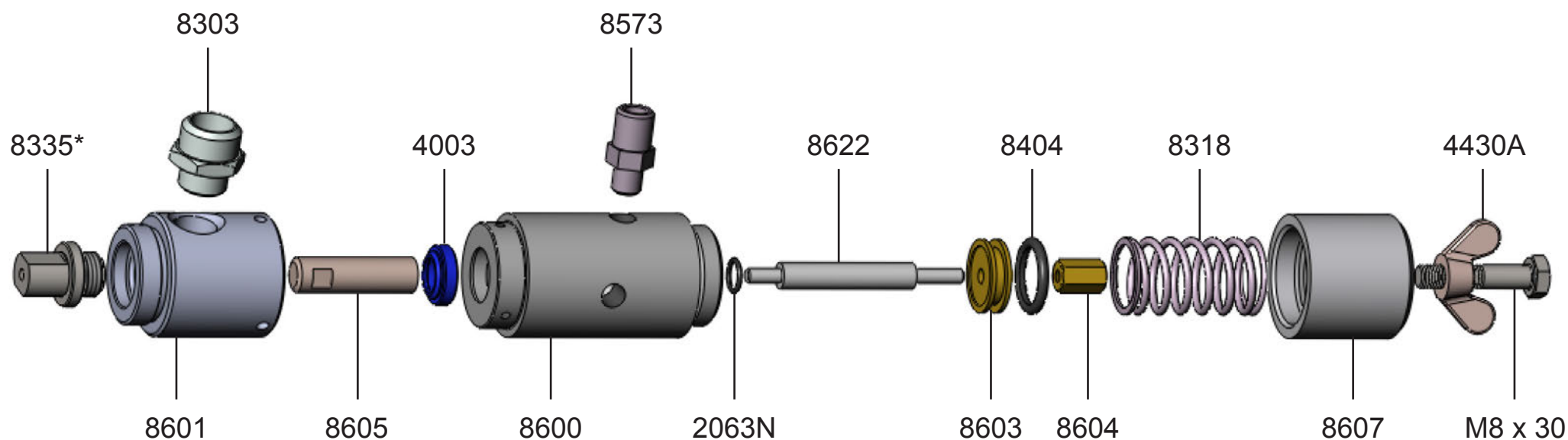
- For air connection, use rather a Ø 8 mm hose
- Use an opening air pressure of 6 bar (87 psi)
- To improve the flow of glass beads (speed, quantity), add our injection tube 8304S-C with air connection (option on request).

SPECIFICATIONS

	WITHOUT DIFFUSER	WITH DIFFUSER
Dimensions:	170 x 55 mm	280 x 55 mm
Weight:	1.5 kg	2.4 kg

Edwin Kamber SA reserves the right to change at any time this information





- *Indiquer N° ou Ø
- *Indicate no. or Ø
- *Indicar n.° o Ø
- *Nr. oder Ø angeben

7515A

9515AL

