

## GLASS BEAD GUN WITH ATOMIZING AIR

This gun is equipped with a hardened steel closing piston. It can be fed with glass beads either by gravity or from a pressurized tank.

### CONNECTIONS:

Opening air	1/4 "
Atomizing air	3/8 "
Ø passage of beads	18.5 mm

### BEAD NOZZLE:

Ø 6 to 14 mm

### AIR NOZZLE:

Ø 2 mm

### DIFFUSER

The gun is equipped with an adjustable (orientation and width) diffuser to spread the glass beads equally over a wide line up to 30 cm. It has a stiffening plate in carbide to increase its lifetime. This can be easily replaced when it wears out. The diffuser can be equipped with a glass bead sensor to avoid having a line without glass beads. This sensor is connected to an electronic device, which manages the gun(s) in action and the alarms (on request).

### RECOMMENDATIONS

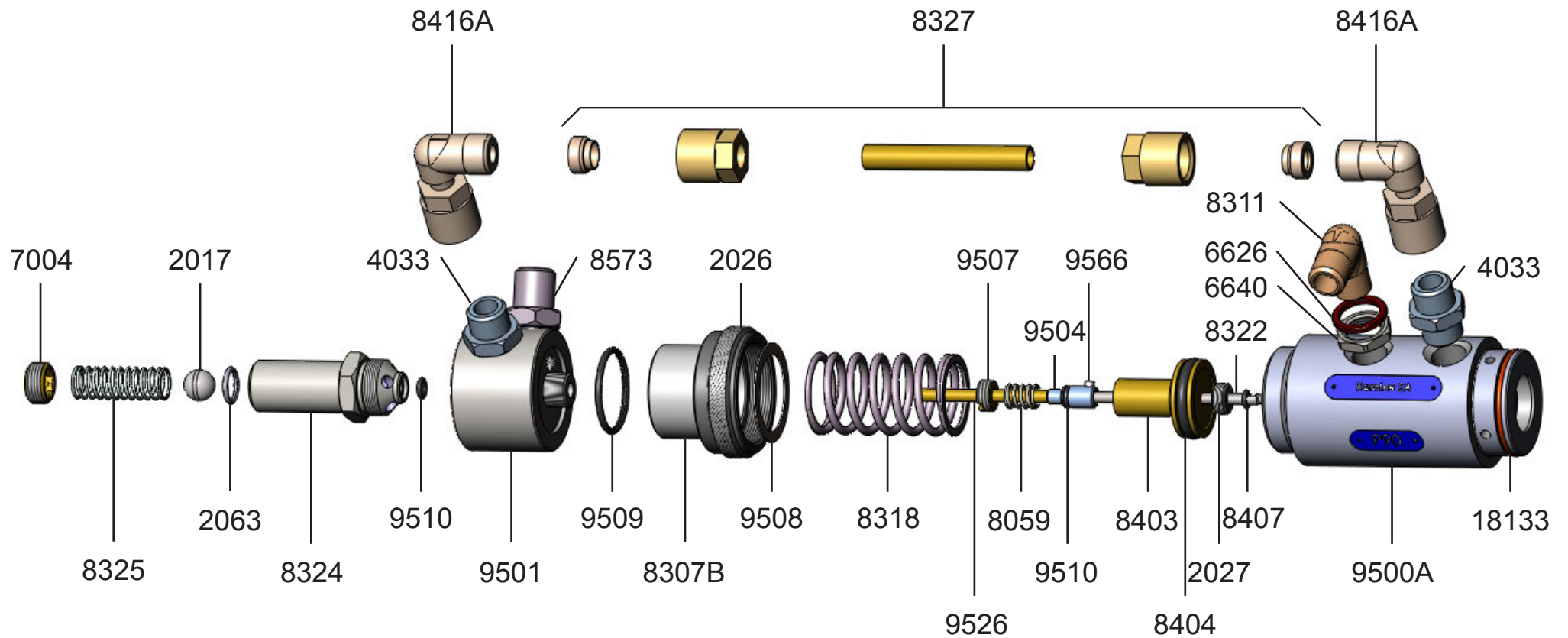
- Block the suction tube when feeding by pressurized tank
- For air connection, use rather a Ø 8 mm hose
- Use an opening air pressure of 6 bar (87 psi)

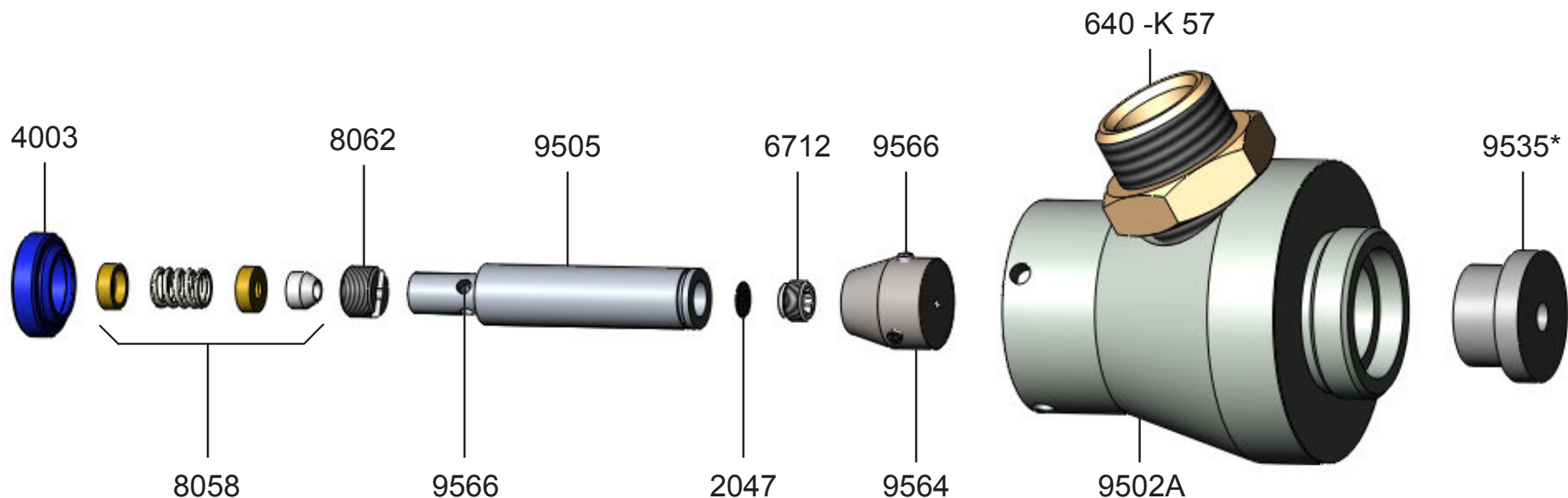
### SPECIFICATIONS

	WITHOUT DIFFUSER	WITH DIFFUSER
Dimensions:	240 x 100 mm	350 x 100 mm
Weight:	2.2 kg	2.9 kg

Edwin Kamber SA reserves the right to change at any time this information







- \*Indiquer N° ou Ø
- \*Indicate no. or Ø
- \*Indicar n.° o Ø
- \*Nr. oder Ø angeben

# 7515A

# 9515AL

